

Tiger Sportsmen Transponder Mounting Locations

The transponder must be mounted in compliance with the diagrams provided below. It must be mounted on a bracket inside frame rails. The center of the transponder must be twelve (12) inches back from the rear edge of the rear end tube (see diagram #1). Also the bottom most part of the transponder should not be below the bottom most part of frame. Transponder must be mounted in a direct horizontal plane (see diagram #2) to the ground with label side down and lights pointing towards the front or rear of the car. The clearance from the racetrack to the bottom of the transponder should be as close to a maximum of twelve (12) inches as possible.

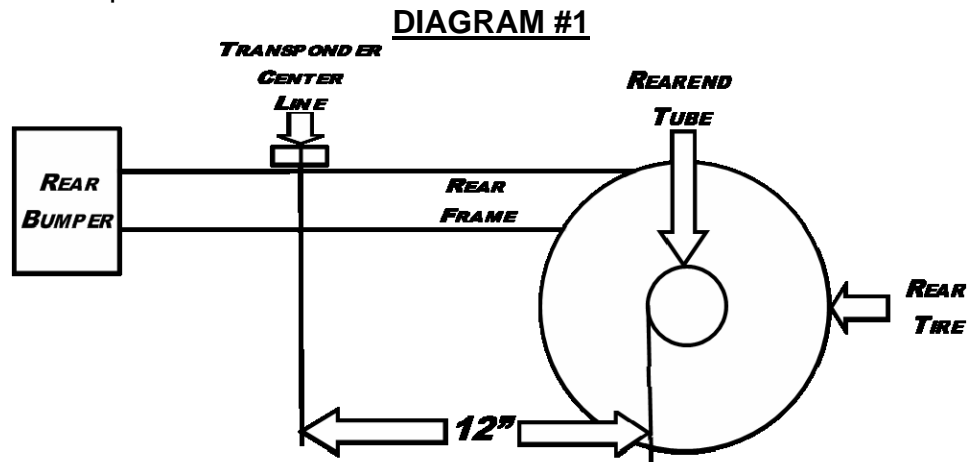
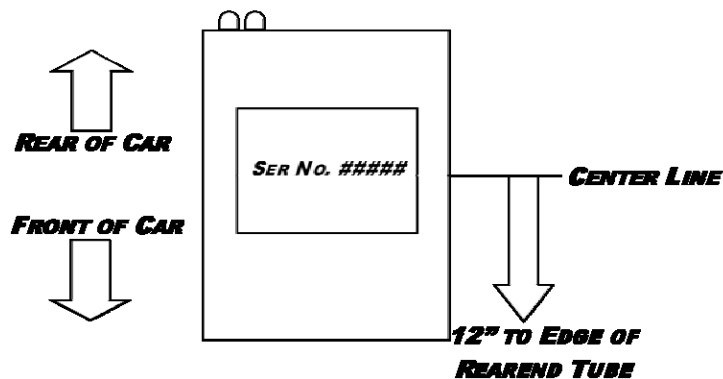


DIAGRAM #2
VIEW OF TRANSPONDER AS
SEEN FROM TRACK SURFACE



NOTE: Permanent Hardwired Transponders are available for purchase and are mounted in the same orientation and position as the rentals. Rental transponders must be returned after each event. To purchase a transponder contact Raceceiver – www.raceceiver.com or 866-301-7223. Any mounting questions should be directed as with any other rules question to Dean Gallison at 802.229.6276 between 6pm and 9pm on weekdays